



Power of Innovation



Windows 10



Applications



EasiNote

Use Hero-Tech MultiBoard instead of a flipchart for capturing notes



EasiMeeting

White board software developed specially for remote visual, video or sound presentations



EasiConnect

Easily connects with mobile devices and laptops.

Display

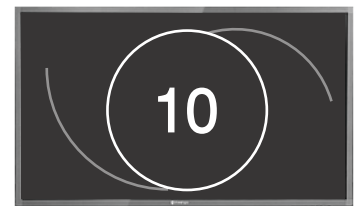
Full HD Multi-Touch Screen



Strong and no glare

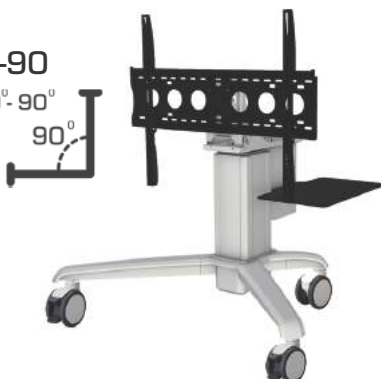


10 points Multitouch



STANDS

Hero-90
TILTS 0°-90°

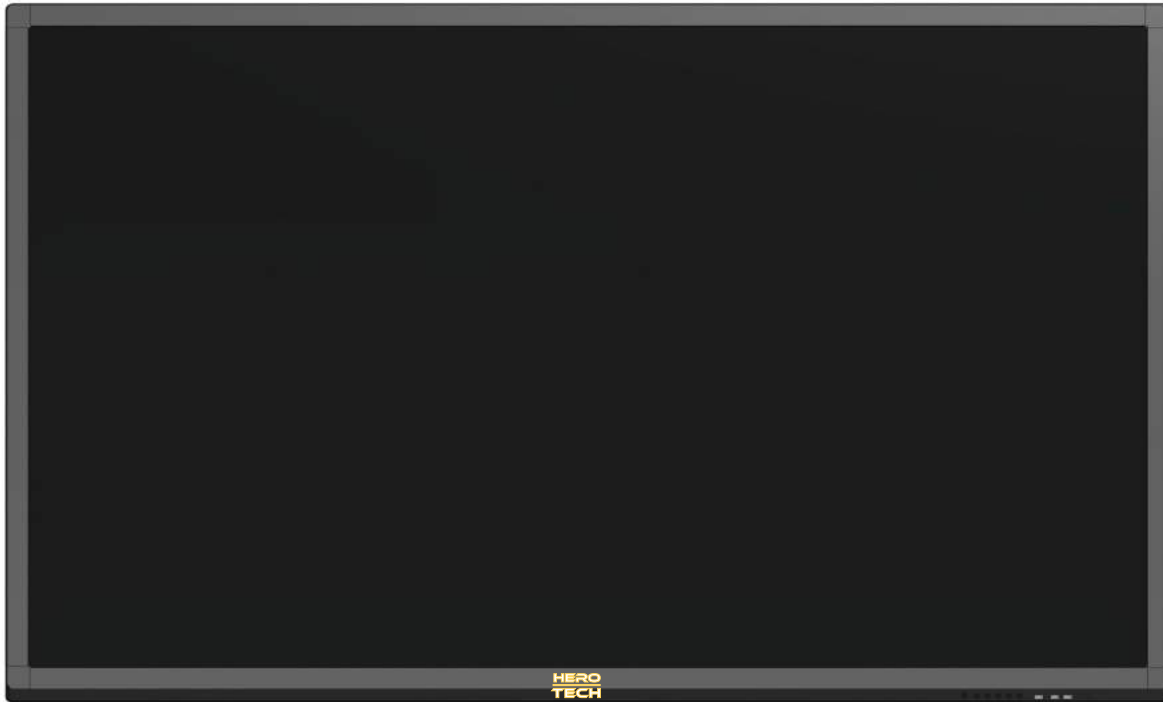


Hero-Standard



Hero Document Camera





Product Features:

Ultra-thin and ultra-narrow appearance; front physical keys; front USB ports for PC and Android; modulation safety design

★ IR (Infrared Ray) touch technology

① Resistant to optical interference (use as usual under direct sunlight)

② Resistant to shielding

③ Rapid response, fluent in writing & demonstration

★ Pass EMC test (meets the requirements of the applicable CE directives)

★ Integrated display, touch-control, dual core processor in Android and PC

① Smart operating system

② Touch menu (use touch menu to make a universal setting in any input source)

③ Achieve the functions of making notes, playing courseware and video without PC

★ Detachable PC module

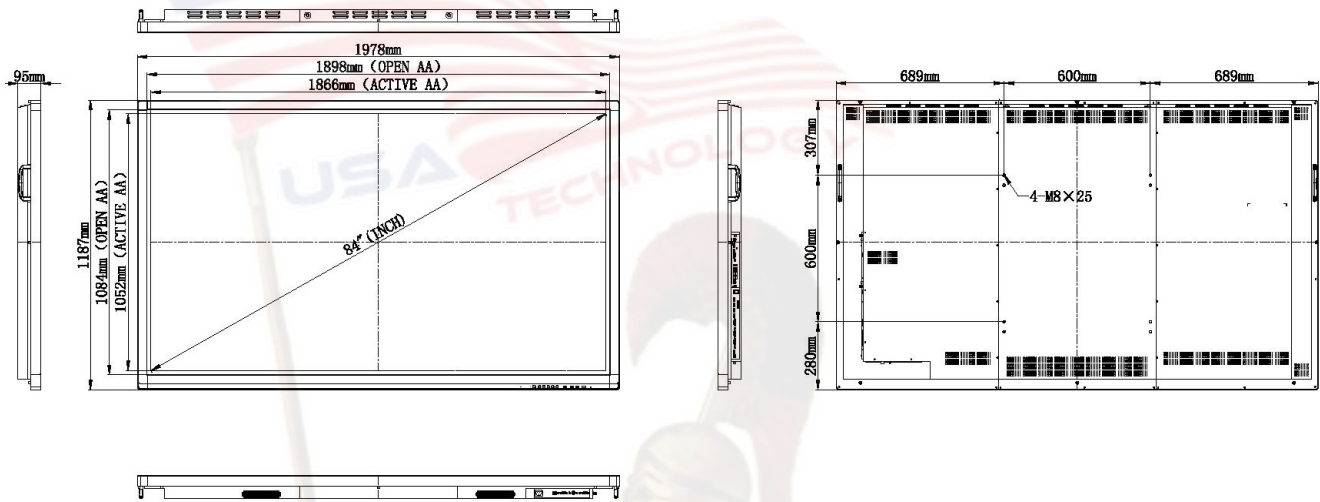
① Detachable type design (reduce running noise and facilitate maintenance)

② Built-in smart core and operating system, Android and PC function as standby for each other

★ One key to energy saving mode (energy saving and environmental protection)

★ AG tempered glass 4mm Mohs level 7

Dimensions:



Product Specifications:

Display

Size	84 inch
Screen Type	LED
Aspect Ratio	16:9
Display Area	1860.48(H)*1046.52(V)
Resolution	3840(H)*2160(V)
Response Time	8ms
Refreshing Frequency	120Hz
Display Color	1.06B,10bit
Brightness with glass (typ)	308cd/m ²
Contrast Ratio	1600:1
Viewing Angle	178° (Horizontal&Vertical)
Life Time	50000 hours

Video/Audio

Speaker Type	Built-in Speaker
Output Power	10W*2

Display Connectors

CVBS	1
VGA Input(15 pin D- Sub)	3
HDMI Input	3
HDMI 4K2K	1
PC-Audio	3
R/L(CVBS)	1
VGA Output	1
Earphone Output	1
Coaxial Output	1
USB2.0	4(including 3 USB ports in front)
USB3.0	1
LAN(RJ45)	1
RS232 Control	1
USB Touch	1

Touch System

Sensing Type	Infrared recognition
System	Windows8/Windows7/Windows/XP/Vista/Linux/Mac/Android/Wince/Chrome
Touch point	5 points writing and 10 points touch
Writing Response	single-touch $\geq\Phi 5\text{mm}$ and multi-touch $\geq\Phi 8\text{mm}$
Response Time	<15ms
Communication Mode	Full-speed USB (driver free)
Surface Hardness	7H
Output Coordinate	32767*32767

Android

System Version	Android 4.2.1
CPU	ARM Cortex A9 Dual Core CPU
GPU	Quad Core
RAM	1.5G
ROM	8G

PC Module



Type	Detachable PC module
Model	MT11
CPU	Intel® Core™ i3/i5/i7 optional
RAM	DDR3L 4G/8G optional
HDD	SATA 500G/1T optional
Graphics	Integrated Intel® HD Graphics/Independent Graphics GT730M optional
Chipset	Intel H81 Express
Sound Card	Integrated High Definition Audio Stereo
Networking	Integrated 10/100/1000M Adaption
WIFI	802.11ac (2.4GHz/5GHz)
Operation System	Windows 7 and above
USB2.0	4
USB3.0	2
LAN(RJ45)	1
VGA Output	1
Earphone Output	1
Microphone Input	1
Mini Display Port	1
HDMI Output	1
Power	
Power Requirements	100-240V~ 50/60Hz
Standby Power	≤0.5W

Overall Power(nominal power)	500W
------------------------------	------

Physical Specifications

Key Location & Number	Front physical keys, 6
Dimension L*H*W	1978*1187*95mm
Dimension(package) L*H*W	2170*1370*320mm
Net Weight	107kg
Gross Weight	135kg
Thickness of machine and wall mount	141mm (9060A)
Wall-hanging Screw Spec	M8*25mm
VESA	600*600mm
Supportable Stand	ST01

Accessories

AC Power Cable	1(3 meters)
VGA Cable	1(5 meters)
USB Cable	1(5 meters)
Audio Cable	1(5 meters)
Writing Pen	3
Remote Control	1
Application and Driver Disk	2
Quick Start Guide	1
Operation Instructions	1 (electronic edition in driver disk)

Environmental Conditions

Operation Temperature	0°C - 40°C
Operation Humidity	10% - 90%
Storage Temperature	-20°C -60°C
Storage Humidity	10% - 90%
Altitude	Below 5000 meters

